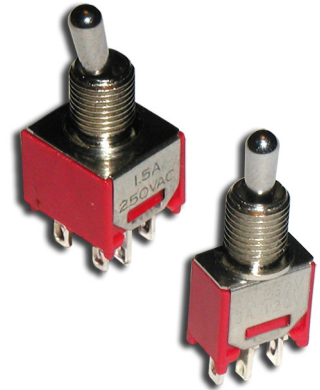


SPECIFICATIONS

Electrical Ratings	3A @ 120VAC, 28VDC; 1A @ 250VAC See Contact Options
Electrical Life	30,000 cycles typical
Contact Resistance	< 20 mΩ max initial @ 2-4VDC, 100mA
Dielectric Strength	1500Vrms min
Insulation Resistance	> 100MΩ min
Operating Temperature	-40°C to 85°C
Storage Temperature	-40°C to 85°C



UL US - E222871


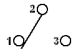
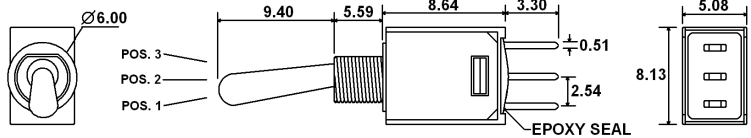




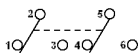
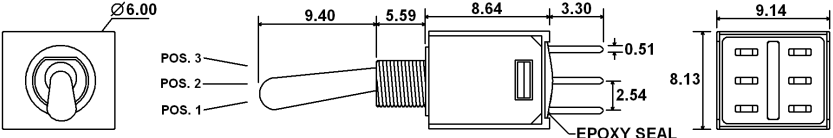



MATERIALS ←RoHS COMPLIANT

Actuator	Brass, Chrome Plated
Housing	DAP – Diallyl Phthalate
Cover	Stainless Steel
Bushing	Brass, Nickel Plated
Contacts	Copper Alloy, Silver or Gold Plated
Terminals	Brass, Silver or Gold Plated

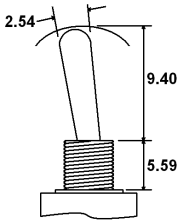
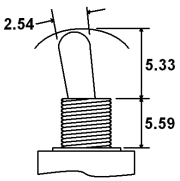
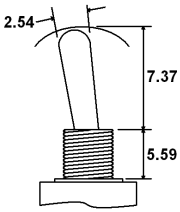
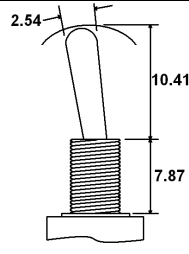
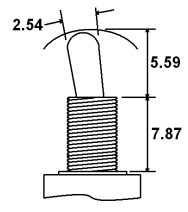
ORDERING INFORMATION

Series:	BNT	2	1	U	E1	C	Q	E
<p>BNT</p> <p>Number of Poles: 1 = SPDT 2 = DPDT</p> <p>Switch Function: 1 = ON-NONE-ON 2 = ON-NONE-(ON) 3 = ON-OFF-ON 4 = (ON)-OFF-(ON) ** Only available in SPDT 5 = ON-OFF-(ON) ** Only available in SPDT 6 = ON-ON-ON ** See Three Way Wiring Section for Details</p> <p>Actuator: T = 5.33mm, Std, available on E/E1/F/F1 Bushings U = 7.37mm, Std, available on E/E1/F/F1 Bushings S = 9.40mm, Std, available on E/E1/F/F1 Bushings X = 5.59mm, Std, available on G/G1/J/J1 Bushings V = 10.41mm, Std, available on G/G1/J/J1 Bushings</p> <p>Bushing: E / E1 = 5.59mm, 10-48UNS / Non-Threaded, Flat F / F1 = 5.59mm, 10-48UNS / Non-Threaded, Keyway J / J1 = 6.60mm, 1/4-40NS / Non-Threaded, Keyway G / G1 = 7.87mm, 1/4-40NS / Non-Threaded, Flat</p> <p>Terminals: B = Solder Lug C = PC Pin H = Horizontal Mount, Right Angle PC Pin; <i>HS = Snap-in</i> V = Vertical Mount, Right Angle PC Pin; <i>VS = Snap-in</i> A5 = PC Pin with Support Bracket; <i>A5S = Snap-in Support Bracket</i></p> <p>Contacts: Q = Silver Plated R = Gold Plated G = Gold over Silver Plated</p> <p>Epoxy Seal: E = Epoxy Seal</p>								

SWITCH FUNCTION

 SPDT 	Function	Toggle Position			
					
	1	ON	NONE	ON	
	2	ON	NONE	(ON)	
	3	ON	OFF	ON	
4	(ON)	OFF	(ON)		
5	ON	OFF	(ON)		
Terminals	2-3	---	2-1		
 DPDT 	Function	Toggle Position			
					
	1	ON	NONE	ON	
	2	ON	NONE	(ON)	
	3	ON	OFF	ON	
6	ON	ON	ON		
Terminals	2-3 5-6	---	2-1 5-4		
Terminals	2-3 5-6	2-3 5-4	2-1 5-4		

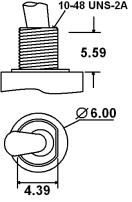
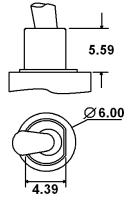
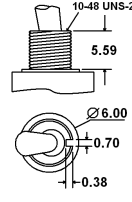
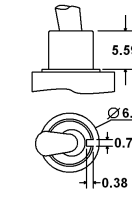
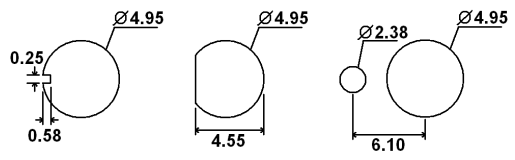
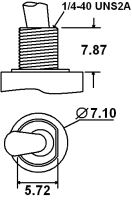
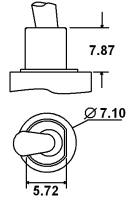
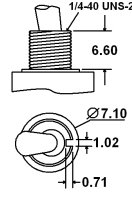
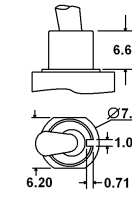
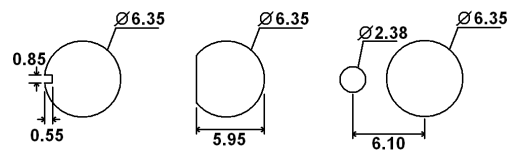
ACTUATOR OPTIONS

 S	 T	 U	 V	 X
---	---	---	--	---

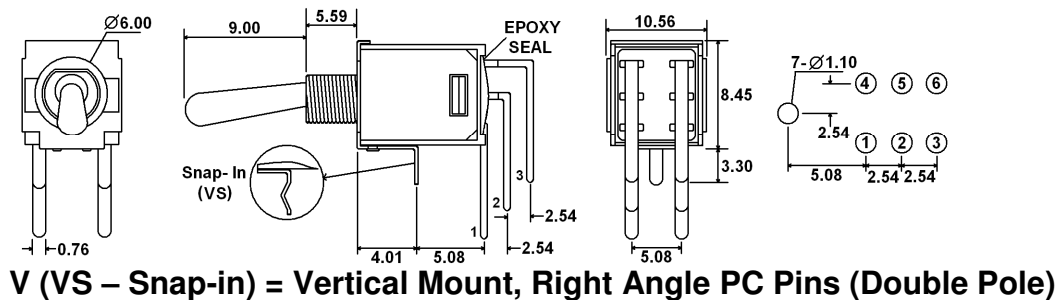
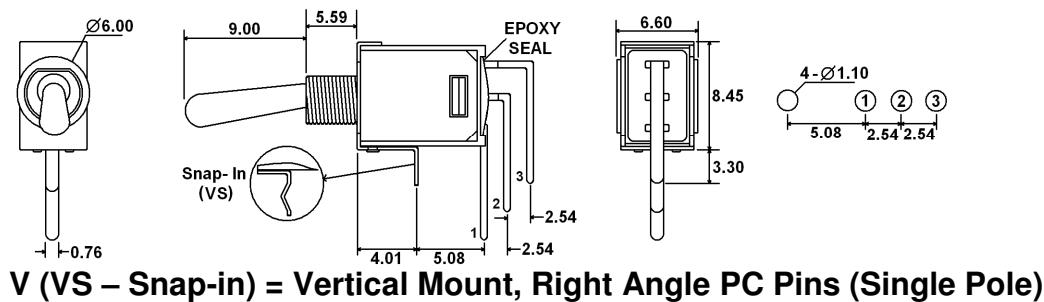
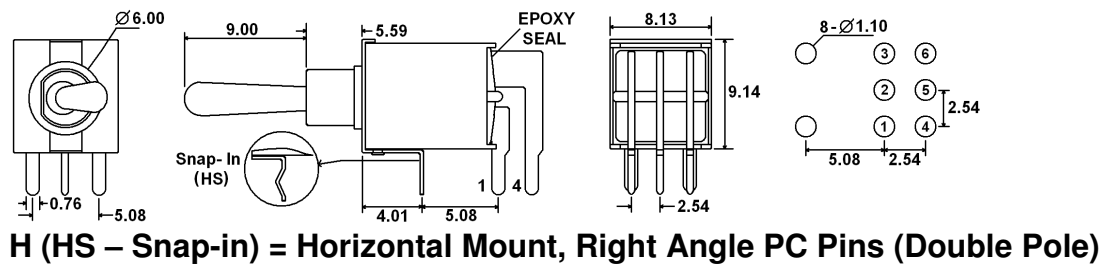
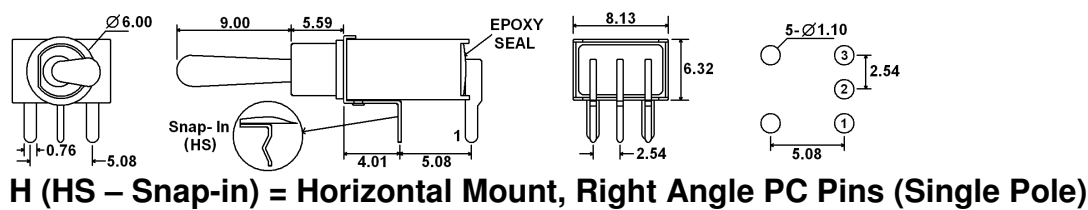
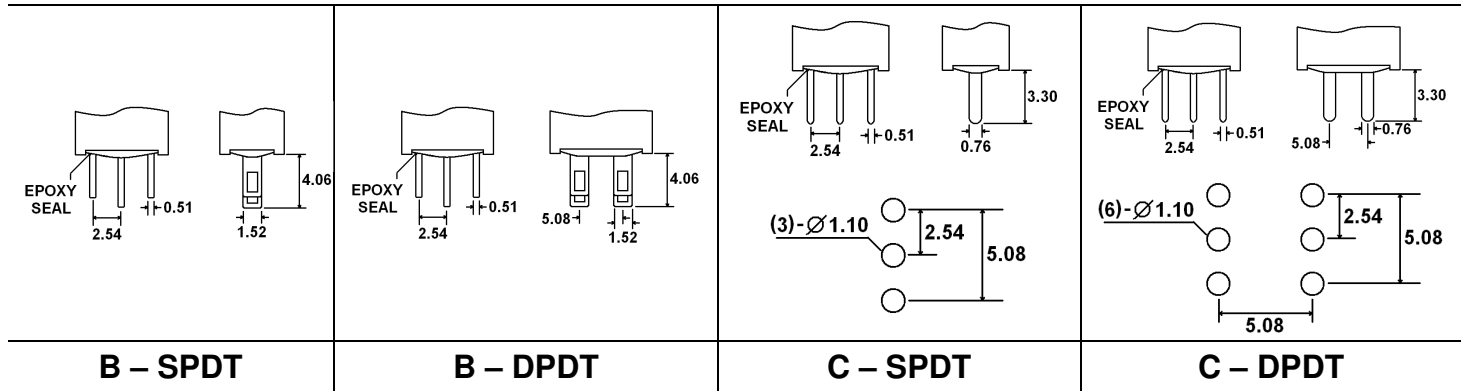
**Only available with E, E1, F, & F1 Bushings

**Only available with G, G1, J, & J1 Bushings

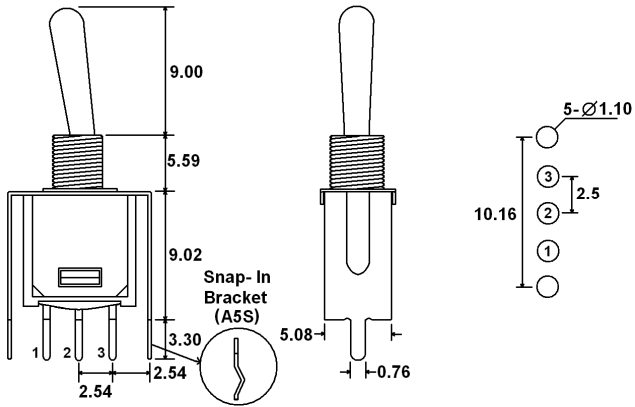
BUSHING OPTIONS

 E	 E1	 F	 F1			
				<p>Panel Mounting – 10-48</p>		
 G	 G1	 J	 J1			
				<p>Panel Mounting – 1/4-40</p>		

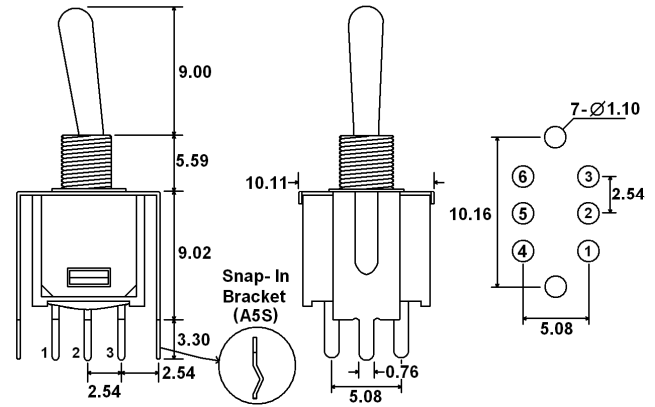
TERMINAL OPTIONS



TERMINAL OPTIONS



**A5 (A5S – Snap-in Bracket)
 PC Pins with Support Bracket (Single Pole)**

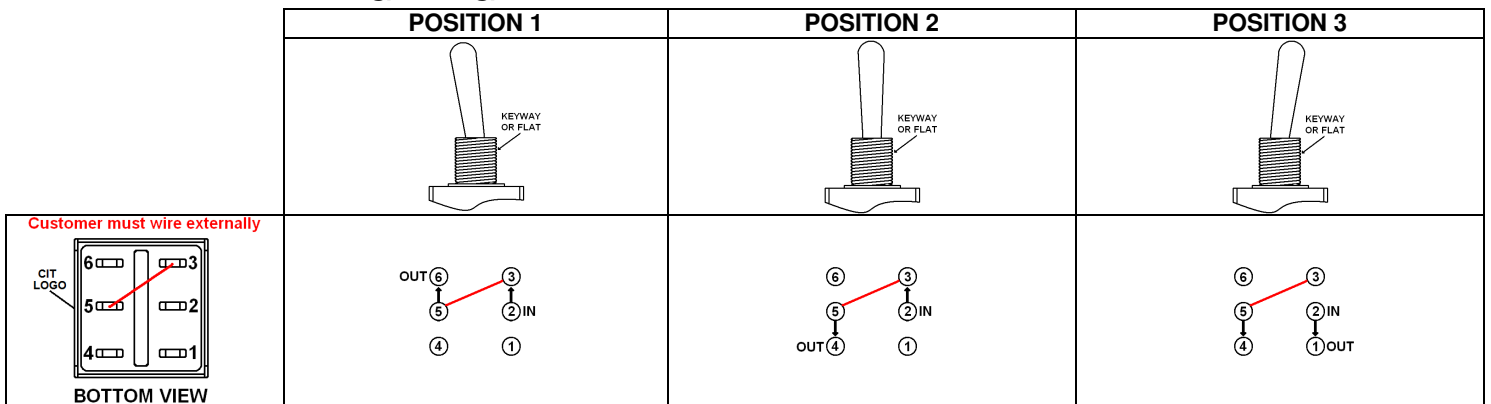


**A5 (A5S – Snap-in Bracket)
 PC Pins with Support Bracket (Double Pole)**

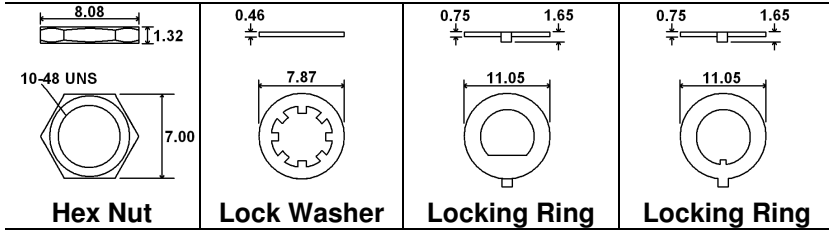
CONTACT OPTIONS

Designator	Contact Material	Terminal Material	Electrical Ratings
Q	Silver Plating	Silver Plating	3A @ 120VAC, 28VDC; 1A @ 250VAC
R	Gold over Nickel Plating	Gold over Nickel Plating	.4 VA max @ 20VAC or VDC max
G	Gold over Silver Plating	Gold over Silver Plating	.4 VA max @ 20VAC or VDC max or 3A @ 120VAC, 28VDC; 1A @ 250VAC

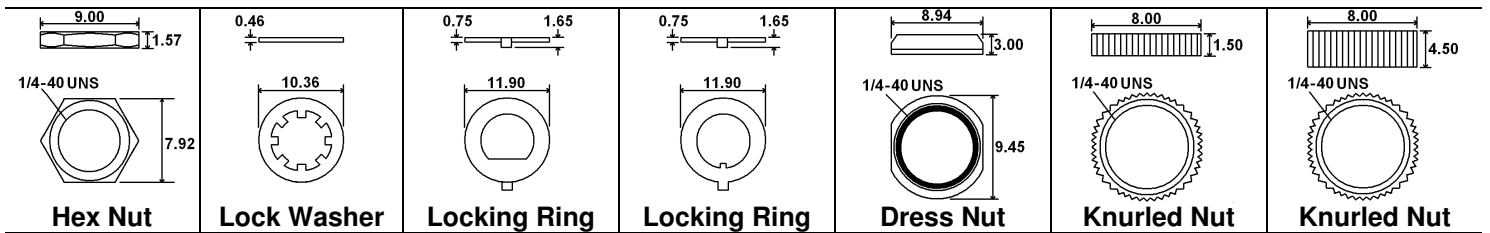
THREE WAY WIRING DIAGRAM



HARDWARE **Two hex nuts, one lock washer, & one locking ring supplied standard with threaded bushings



**For use with E & F Bushings



**For use with G & J Bushings